

NON-SPRING RETURN DAMPER ACTUATORS

ACTUATORS

DAN / DAN2 / DMN

4 Nm, ON/OFF, FLOATING AND PROPORTIONAL CONTROL

The Silence Electric Damper Actuator Series have been developed to operate small and medium air dampers in Ventilation and Air Conditioning Systems. The compact design and universal adapter fitted with limitation of rotation angle make this actuator highly versatile.

A key feature of the design is the Johnson Controls® stem adapter which also incorporates angle-of-rotation limiting and position indication.

FEATURES

- ON/OFF, Floating and Proportional control
- Load-independent running time
- Up to 5 actuators in parallel operation possible
- Plug-in terminal block connection
- Simple direct mounting with universal adapter for fitting to \varnothing 6 mm to 16 mm shaft or with Z01DN adapter kit for 8, 10, 11 and 12 mm square shaft; 45 mm min shaft length
- Selectable direction of rotation
- Limitation of rotation angle
- Manual release button
- 2 adjustable auxiliary switches
- Automatic shut-off at end position (overload switch)
- Energy saving at end positions
- Actuators available with 1 m halogen-free cable

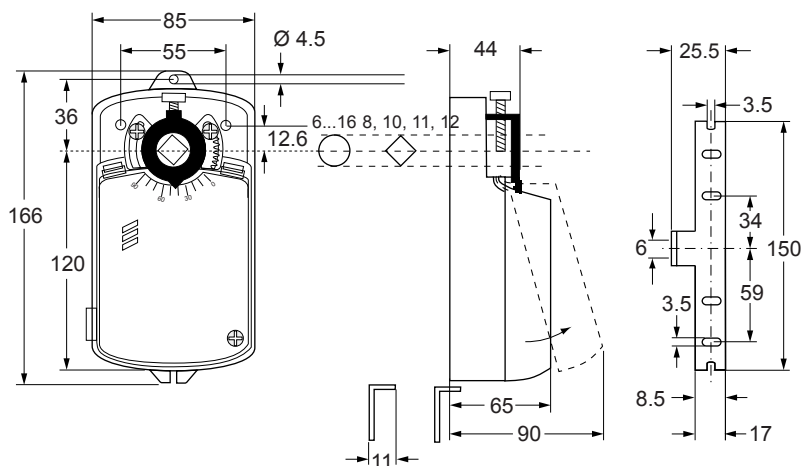


NON-SPRING RETURN DAMPER ACTUATORS



DAN / DAN2 / DMN

DIMENSIONS (in mm)



ORDERING INFORMATION

| CODES | TORQUE (Nm) | RUNNING TIME (s/mm) | 2 ADJUSTABLE AUXILIARY CONTACTS | SUPPLY VOLTAGE (50/60 Hz) | |
|---------|----------------|------------------------|---------------------------------------|------------------------------|-----------|
| DAN1N | 4 | 35 | --- | 24 VAC/DC | |
| DAN1.SN | | | ■ | | |
| DAN2N | | | --- | 230 VAC | |
| DAN2.SN | | | ■ | | |
| DAN5N | | | --- | 48 VDC | |
| DAN5.SN | | | ■ | | |
| DAN2.C | | | --- | 230 VAC | |
| DAN2.SC | | | ■ | | |
| DMN1.2N | | | --- | --- | 24 VAC/DC |
| DMN5.2N | | | --- | --- | 48 VAC/DC |